



EVER BRIGHT OPTO-ELECTRONICS CO., LIMITED

ADD: #202-72, Yuan Shan Bei Li, Huli District, Xiamen, China

TEL: +86-592-5628 225

FAX: +86-592-5628 225

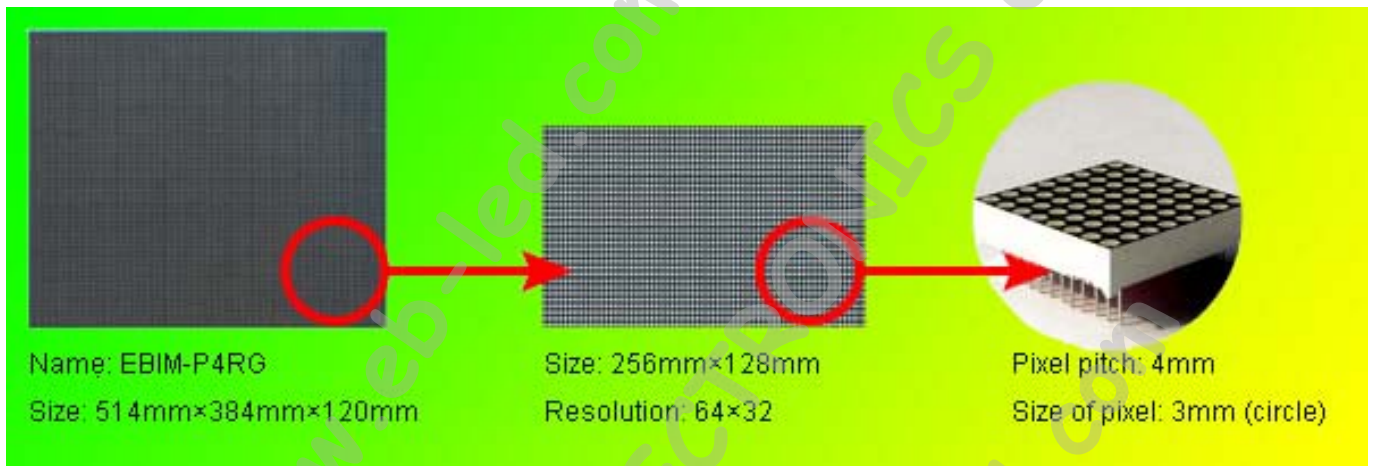
Website: www.eb-led.com

E-mail: sally0592@gmail.com

LED Message Sign Specification

The message sign usually have two colors of red and green, or single color.

LED Indoor Message Sign:



P4 Specification:

Pixel pitch	4mm
Size of module	32mm×32mm
Size of unit board	256mm×128mm
Size of cabinet	512mm×384mm×120mm
Area of cabinet	0.197 m ²
Pixel configuration	Red/Red Green
Green wavelength	525±2nm
Best viewing distance	≥6m
Maximum power consumption	800W/ m ² /1150W/ m ²
Color temperature	6500K
Driving method	Constant scanning 1/16
Refresh frequency	≥180Hz
Working temperature	0°C~+45°C
Life span	100,000 hours

Size of pixel	3mm
Pixel of module	8×8
Resolution of unit board	64×32
Resolution of cabinet	128×96
Density of pixel	62500 dots/m ²
Red wavelength	625±2 nm
Colors	256/65536
Horizontal viewing angle	140°
IP grade	IP20
Control method	Synchronization/Asynchronous
Frame frequency	60Hz
Working voltage	AC220V/110V±10%
MTBF	More than 10,000 hours



EVER BRIGHT OPTO-ELECTRONICS CO., LIMITED

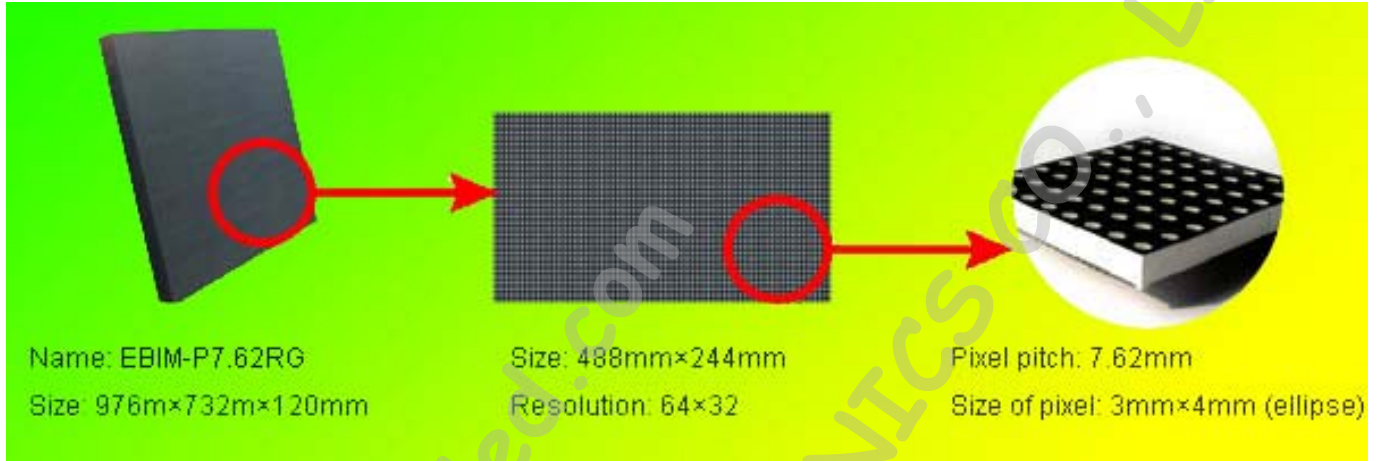
ADD: #202-72, Yuan Shan Bei Li, Huli District, Xiamen, China

TEL: +86-592-5628 225

FAX: +86-592-5628 225

Website: www.eb-led.com

E-mail: sally0592@gmail.com



P7.62 Specification:

Pixel pitch	7.62mm
Size of module	60.4mm×60.4mm
Size of unit board	488mm×244mm
Size of cabinet	976mm×732mm×120mm
Area of cabinet	0.583 m ²
Pixel configuration	Red/Red Green
Green wavelength	525±2 nm
Best viewing distance	≥6m
Maximum power consumption	200W/ m ² / 300 W/ m ²
Color temperature	6500K
Driving method	constant scanning 1/16
Refresh frequency	≥180Hz
Working temperature	0°C~ +45°C
Life span	100,000 hours

Size of pixel	3mm×4mm
Pixel of module	8×8
Resolution of unit board	64×32
Resolution of cabinet	128×96
Density of pixel	17222dots/m ²
Red wavelength	625±2nm
Colors	256/65536
Horizontal viewing angle	140°
IP grade	IP20
Control method	Synchronization/ Asynchronism
Frame frequency	60Hz
Working voltage	AC220V/110V±10%
MTBF	More than 10,000 hours



EVER BRIGHT OPTO-ELECTRONICS CO., LIMITED

ADD: #202-72, Yuan Shan Bei Li, Huli District, Xiamen, China

TEL: +86-592-5628 225

FAX: +86-592-5628 225

Website: www.eb-led.com

E-mail: sally0592@gmail.com

LED Outdoor Message Sign:

P10 Specification:

Pixel pitch	10mm	Size of module	160mm×80mm
Resolution of module	16×8	Size of cabinet	640mm×480mm×140mm
Resolution of cabinet	64×48	Area of cabinet	0.307 m ²
Density of pixel	10000dots/m ²	Pixel configuration	Red/Red Green
Red wavelength	625±2nm	Green wavelength	525±2 nm
Colors	256/65536	Best viewing distance	12~120m
Horizontal viewing angle	120°	Maximum power consumption	300 W/ m ² / 600 W/ m ²
Brightness	≥5000 cd/ m ²	IP grade	IP65
Color temperature	6500K	Control method	Synchronization
Driving method	Constant 1/8scanning	Frame frequency	60Hz
Refresh frequency	≥300Hz	Working voltage	AC220V/110V±10%
Working temperature	-20°C ~ +60°C	MTBF	More than 10,000 hours
Life span	100,000 hours		

P12 Specification:

Pixel pitch	12mm	Size of module	192mm×96mm
Resolution of module	16×8	Size of cabinet	768mm×576mm×140mm
Resolution of cabinet	64×48	Area of cabinet	0.442 m ²
Density of pixel	6944 dots/ m ²	Pixel configuration	Red/Red Green
Red wavelength	625±2nm	Green wavelength	525±2 nm
Colors	256/65536	Best viewing distance	12~120m
Horizontal viewing angle	120°	Maximum power consumption	500W/ m ² /650W/ m ²
Brightness	≥5000 cd/ m ²	IP grade	IP65
Color temperature	6500K	Control method	Synchronization
Driving method	Constant static	Frame frequency	60Hz
Refresh frequency	≥300Hz	Working voltage	AC220V/110V±10%
Working temperature	-20°C ~ +60°C	MTBF	More than 10,000 hours
Life span	100,000 hours		



EVER BRIGHT OPTO-ELECTRONICS CO., LIMITED

ADD: #202-72, Yuan Shan Bei Li, Huli District, Xiamen, China

TEL: +86-592-5628 225

FAX: +86-592-5628 225

Website: www.eb-led.com

E-mail: sally0592@gmail.com

P14 Specification:

Pixel pitch	14mm
Resolution of module	16x8
Resolution of cabinet	64x48
Density of pixel	5102 dots/ m ²
Red wavelength	625±2nm
Colors	256/65536
Horizontal viewing angle	120°
Brightness	≥5000 cd/ m ²
Color temperature	6500K
Driving method	Constant static
Refresh frequency	≥300Hz
Working temperature	-20°C ~ +60°C
Life span	100,000 hours

Size of module	224mmx112mm
Size of cabinet	896mmx672mmx140mm
Area of cabinet	0.602 m ²
Pixel configuration	Red/Red Green
Green wavelength	525±2 nm
Best viewing distance	12~150 m
Maximum power consumption	400 W/ m ² / 700 W/ m ²
IP grade	IP65
Control method	Synchronization
Frame frequency	60Hz
Working voltage	AC220V/110V±10%
MTBF	More than 10,000 hours

P16 Specification:

Pixel pitch	16mm
Resolution of module	16x8
Resolution of cabinet	64x48
Density of pixel	3906 dots/ m ²
Red wavelength	625±2nm
Colors	256/65536
Horizontal viewing angle	120°
Brightness	≥5000 cd/ m ²
Color temperature	6500K
Driving method	Constant static
Refresh frequency	≥300Hz
Working temperature	-20°C ~ +60°C
Life span	100,000 hours

Size of module	256mmx128mm
Size of cabinet	1024mmx768mmx140mm
Area of cabinet	0.786 m ²
Pixel configuration	Red/Red Green
Green wavelength	525±2nm
Best viewing distance	15-300m
Maximum power consumption	400 W/ m ² / 600 W/ m ²
IP grade	IP65
Control method	Synchronization
Frame frequency	60Hz
Working voltage	AC220V/110V±10%
MTBF	More than 10,000 hours