



EVER BRIGHT OPTO-ELECTRONICS CO., LIMITED

ADD: #202-72, Yuan Shan Bei Li, Huli District, Xiamen, China

TEL: +86-592-5628 225

FAX: +86-592-5628 225

Website: www.eb-led.com

E-mail: sally0592@gmail.com

LED Indoor Full Color Display Specification

The indoor full color display screen adopts three colors of red, green, and blue LED lamp.

The full color LED display controlling system is made of three main parts as follows:

1. Data sending card: It has used sampling control and store the circuit of high integrated level in the design, which guaranteed the high dependability of the card ; it can adjust the density of every color and contrast ratio through the software ; it can decide a dose of LED menu that has of display screen through the software and it can remove the showing of LED through the software too;
2. Data receiving card: with gray level 4096 (Model 4K) and refresh frequency can support 512*128; full-color receiving card with gray level 16384(model 16K, only for static) and refresh frequency 300HZ can control 160*64;
3. Controller card: the same kind of circuitry board which compatible outdoor one in fourth scan, one in second scan and the whole static state work way
4. LED composing: 1R+1G+1B; 2R+1G+1B, etc.



EVER BRIGHT OPTO-ELECTRONICS CO., LIMITED

ADD: #202-72, Yuan Shan Bei Li, Huli District, Xiamen, China

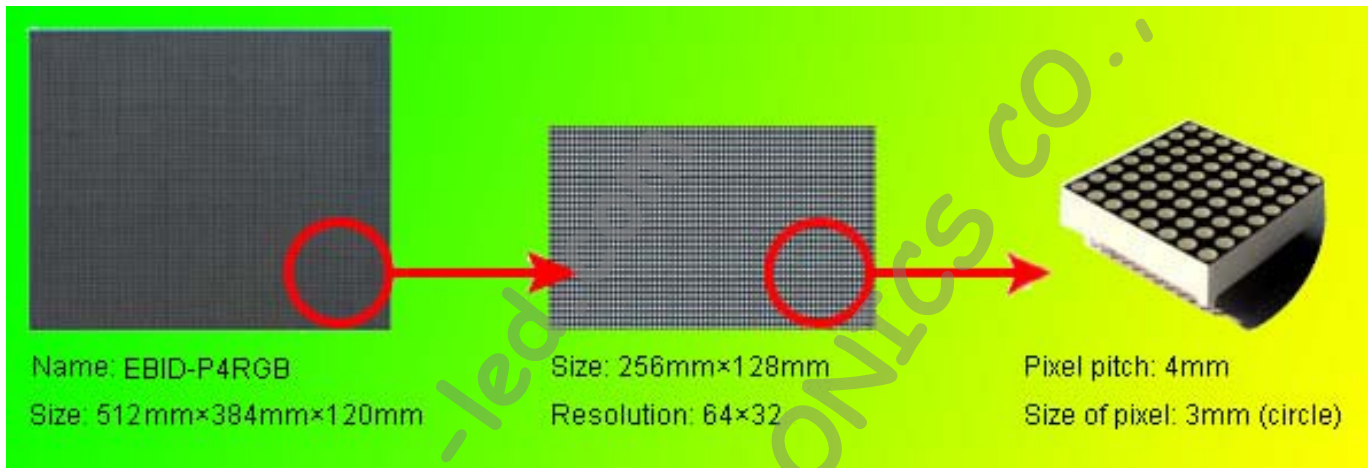
TEL: +86-592-5628 225

FAX: +86-592-5628 225

Website: www.eb-led.com

E-mail: sally0592@gmail.com

LED LAMP SERIES:



P4 Specification:

Pixel pitch	4mm
Size of module	32mm×32mm
Size of unit board	256mm×128mm
Size of cabinet	512mm×384mm×120mm
Area of cabinet	0.1966 m ²
Pixel configuration	1R1PG1B
Green wavelength	525±2nm
Colors	16777216
Horizontal viewing angle	140°
Brightness	1800cd/ m ²
Gray scale	256 levels per color
Control method	Synchronization
Frame frequency	60Hz
Working voltage	AC220V/110V±10%
MTBF	More than 10,000 hours

Size of pixel	3mm
Pixel of module	8×8
Resolution of unit board	64×32
Resolution of cabinet	128×96
Density of pixel	62500dots/m ²
Red wavelength	625±2nm
Blue wavelength	470±2nm
Best viewing distance	≥6m
Maximum power consumption	<1100 W/m ²
IP grade	IP20
Color temperature	6500K
Driving method	Constant scanning 1/16
Refresh frequency	≥180Hz
Working temperature	0°C-- +45°C
Life span	100,000 hours



EVER BRIGHT OPTO-ELECTRONICS CO., LIMITED

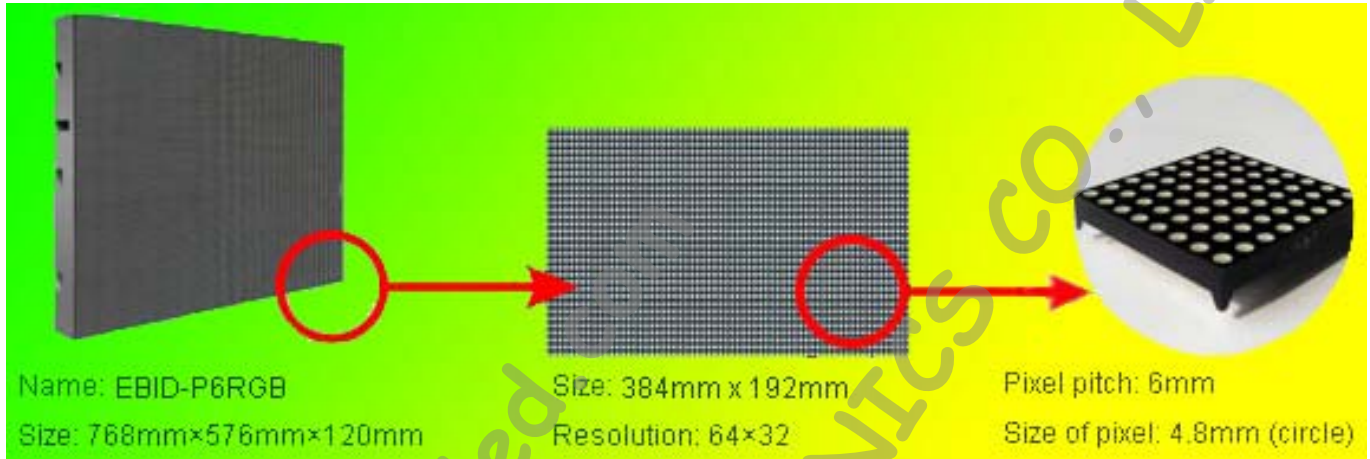
ADD: #202-72, Yuan Shan Bei Li, Huli District, Xiamen, China

TEL: +86-592-5628 225

FAX: +86-592-5628 225

Website: www.eb-led.com

E-mail: sally0592@gmail.com



P6 Specification:

Pixel pitch	6mm	Size of pixel	4.8mm
Size of module	48mm×48mm	Pixel of module	8×8
Size of unit board	384mm×192mm	Resolution of unit board	64×32
Size of cabinet	768mm×576mm×120mm	Resolution of cabinet	128×96
Area of cabinet	0.4424 m ²	Density of pixel	27777 dots/m ²
Pixel configuration	1R1PG1B	Red wavelength	625±2nm
Green wavelength	525±2nm	Blue wavelength	470±2nm
Colors	16777216	Best viewing distance	≥6m
Horizontal viewing angle	140°	Maximum power consumption	<1000 W/m ²
Brightness	1600cd/ m ²	IP grade	IP20
Gray scale	256 levels per color	Color temperature	6500K
Control method	Synchronization	Driving method	Constant scanning 1/16
Frame frequency	60Hz	Refresh frequency	≥180Hz
Working voltage	AC220V/110V±10%	Working temperature	0°C -- +45°C
MTBF	More than 10,000 hours	Life span	100,000 hours



EVER BRIGHT OPTO-ELECTRONICS CO., LIMITED

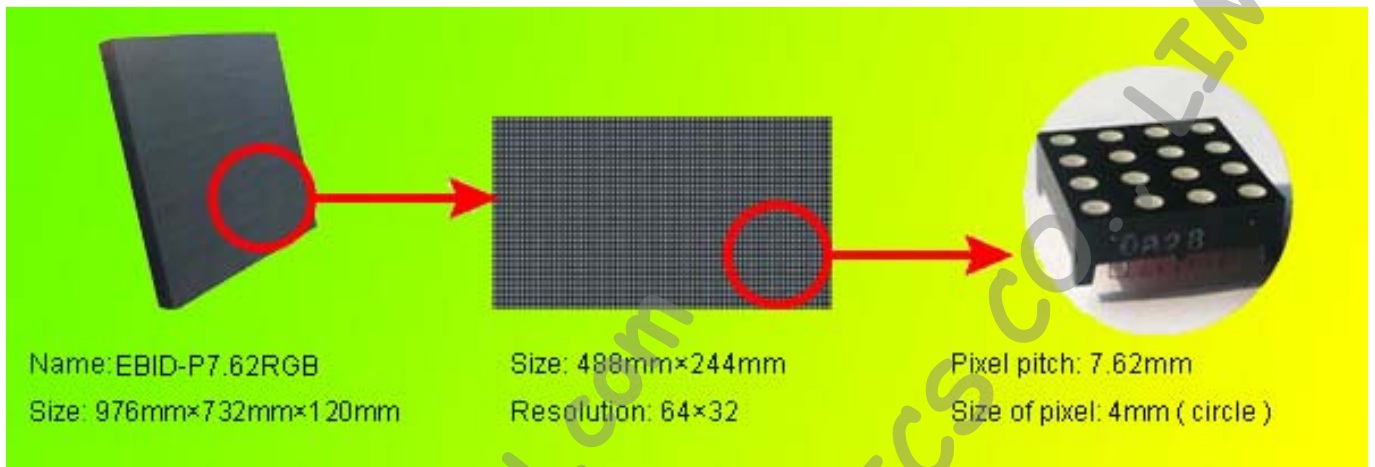
ADD: #202-72, Yuan Shan Bei Li, Huli District, Xiamen, China

TEL: +86-592-5628 225

FAX: +86-592-5628 225

Website: www.eb-led.com

E-mail: sally0592@gmail.com



Name: EBID-P7.62RGB

Size: 976mm×732mm×120mm

Size: 488mm×244mm

Resolution: 64×32

Pixel pitch: 7.62mm

Size of pixel: 4mm (circle)

P7.62 Specifacaton:

Pixel pitch	7.62mm
Size of module	30.2mm×30.2mm
Size of unit board	488mm×244mm
Size of cabinet	976mm×732mm×120mm
Area of cabinet	0.7145 m ²
Pixel configuration	1R1PG1B
Green wavelength	525±2nm
Colors	16777216
Horizontal viewing angle	140°
Brightness	1200cd/ m ² or 2000cd/ m ²
Gray scale	256 levels per color
Control method	Synchronization
Frame frequency	60Hz
Working voltage	AC220V/110V±10%
MTBF	More than 10,000 hours

Size of pixel	4mm
Pixel of module	4×4
Resolution of unit board	64×32
Resolution of cabinet	128×96
Density of pixel	17222dots/m ²
Red wavelength	625±2nm
Blue wavelength	470±2nm
Best viewing distance	≥6m
Maximum power consumption	< 600 W/m ² or 1000 W/m ²
IP grade	IP20
Color temperature	6500K
Driving method	Constant1/8 or 1/4scanning
Refresh frequency	≥180Hz
Working temperature	0°C-- +45°C
Life span	100,000 hours



EVER BRIGHT OPTO-ELECTRONICS CO., LIMITED

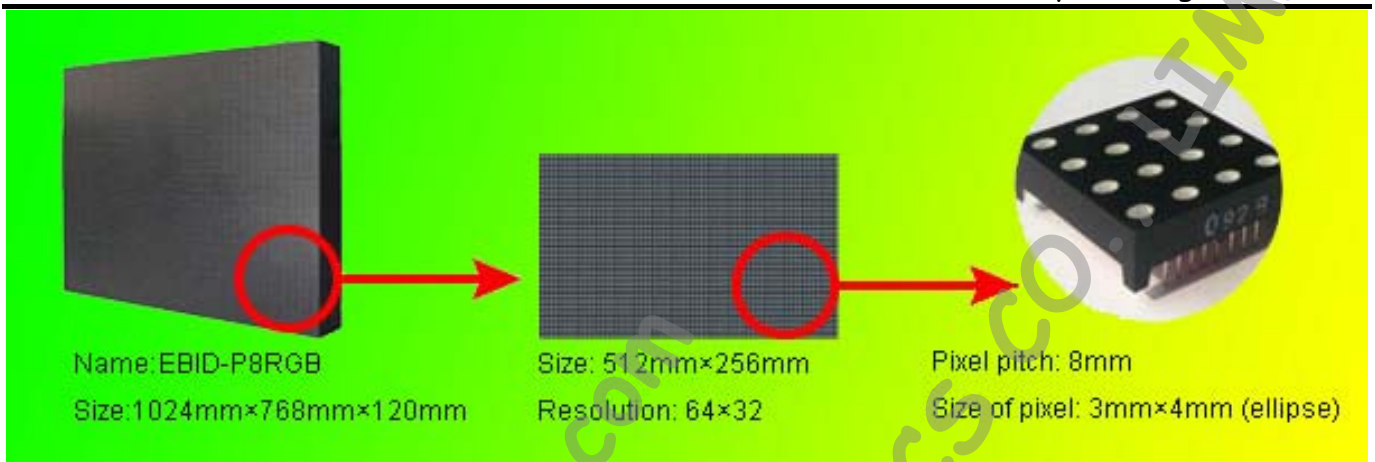
ADD: #202-72, Yuan Shan Bei Li, Huli District, Xiamen, China

TEL: +86-592-5628 225

FAX: +86-592-5628 225

Website: www.eb-led.com

E-mail: sally0592@gmail.com



P8 Specification:

Pixel pitch	8mm
Size of module	32mm×32mm
Size of unit board	512mm×256mm
Size of cabinet	1024mm×768mm×120mm
Area of cabinet	0.7864 m ²
Pixel configuration	1R1PG1B
Green wavelength	525±2nm
Colors	16777216
Horizontal viewing angle	140°
Brightness	1000cd/ m ² or 1800cd/ m ²
Gray scale	256 levels per color
Control method	Synchronization
Frame frequency	60Hz
Working voltage	AC220V/110V±10%
MTBF	More than 10,000 hours

Size of pixel	3mm×4mm
Pixel of module	4×4
Resolution of unit board	64×32
Resolution of cabinet	128×96
Density of pixel	15625dots/m ²
Red wavelength	625±2nm
Blue wavelength	470±2nm
Best viewing distance	≥8m
Maximum power consumption	< 500 W/ m ² or 900 W/ m ²
IP grade	IP20
Color temperature	6500K
Driving method	Constant1/8 or 1/4scanning
Refresh frequency	≥180Hz
Working temperature	0°C-- +45°C
Life span	100,000 hours



EVER BRIGHT OPTO-ELECTRONICS CO., LIMITED

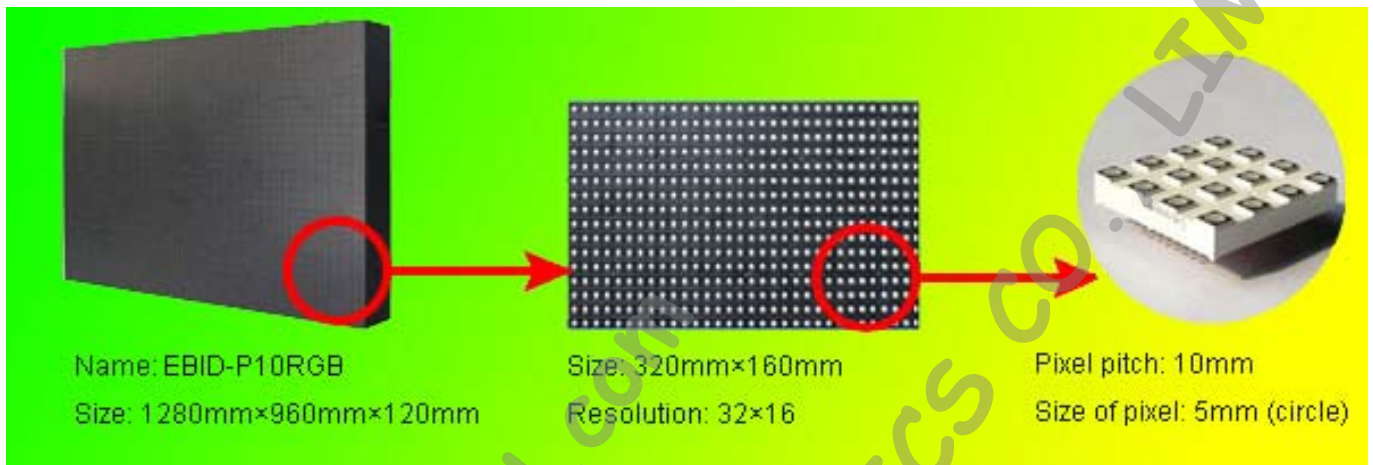
ADD: #202-72, Yuan Shan Bei Li, Huli District, Xiamen, China

TEL: +86-592-5628 225

FAX: +86-592-5628 225

Website: www.eb-led.com

E-mail: sally0592@gmail.com



P10 Specification:

Pixel pitch	10mm
Size of module	40mm×40mm
Size of unit board	320mm×160mm
Size of cabinet	1280mm×960mm×120mm
Area of cabinet	1.2288 m ²
Pixel configuration	1R1PG1B
Green wavelength	525±2nm
Colors	16777216
Horizontal viewing angle	140°
Brightness	1400 cd/m ²
Gray scale	256 levels per color
Control method	Synchronization
Frame frequency	60Hz
Working voltage	AC220V/110V±10%
MTBF	More than 10,000 hours

Size of pixel:	5mm
Pixel of module	4×4
Resolution of unit board	32×16
Resolution of cabinet	128×96
Density of pixel	10000dots/m ²
Red wavelength	625±2nm
Blue wavelength	470±2nm
Best viewing distance	≥10m
Maximum power consumption	<600 W / m ²
IP grade	IP20
Color temperature	6500K
Driving method	Constant 1/4scanning
Refresh frequency	≥180Hz
Working temperature	0°C-- +45°C
Life span	100,000 hours



EVER BRIGHT OPTO-ELECTRONICS CO., LIMITED

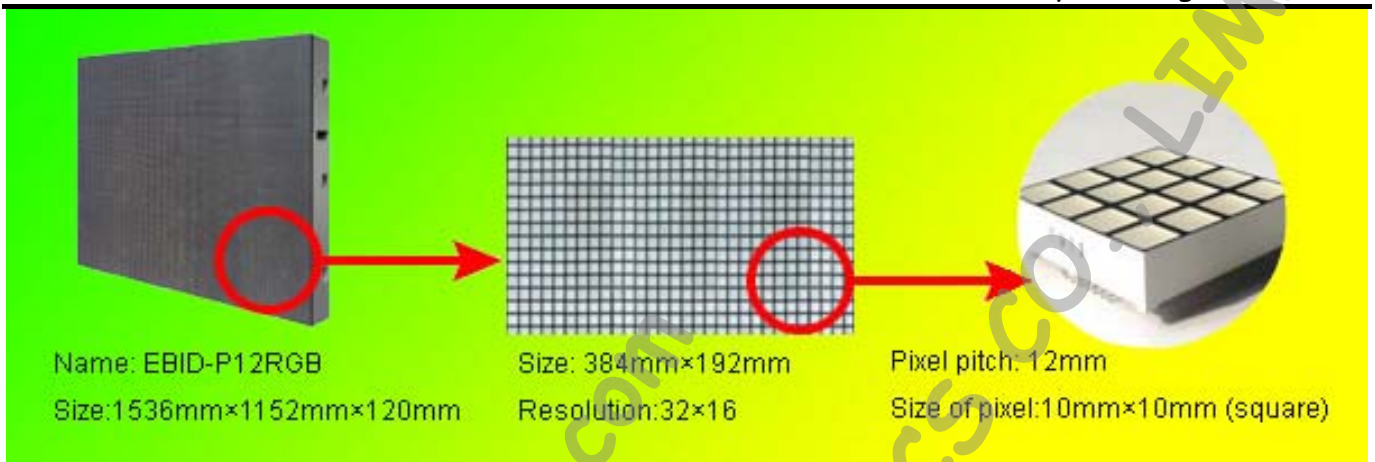
ADD: #202-72, Yuan Shan Bei Li, Huli District, Xiamen, China

TEL: +86-592-5628 225

FAX: +86-592-5628 225

Website: www.eb-led.com

E-mail: sally0592@gmail.com



P12 Specification:

Pixel pitch	12mm
Size of module	48mm×48mm
Size of unit board	384mm×192mm
Size of cabinet	1536mm×1152mm×120mm
Area of cabinet	1.7695 m ²
Pixel configuration	1R1PG1B
Green wavelength	525±2nm
Colors	16777216
Horizontal viewing angle	140°
Brightness	600 cd/m ²
Gray scale	256 levels per color
Control method	Synchronization
Frame frequency	60Hz
Working voltage	AC220V/110V±10%
MTBF	More than 10,000 hours

Size of pixel	10mm×10mm
Pixel of module	4×4
Resolution of unit board	62×16
Resolution of cabinet	128×96
Density of pixel	6944dots/m ²
Red wavelength	625±2nm
Blue wavelength	470±2nm
Best viewing distance	≥12m
Maximum power consumption	<300 W / m ²
IP grade	IP20
Color temperature	6500K
Driving method	Constant1/8 scanning
Refresh frequency	≥180Hz
Working temperature	0°C-- +45°C
Life span	100,000 hours

LED SMD SERIES:



EVER BRIGHT OPTO-ELECTRONICS CO., LIMITED

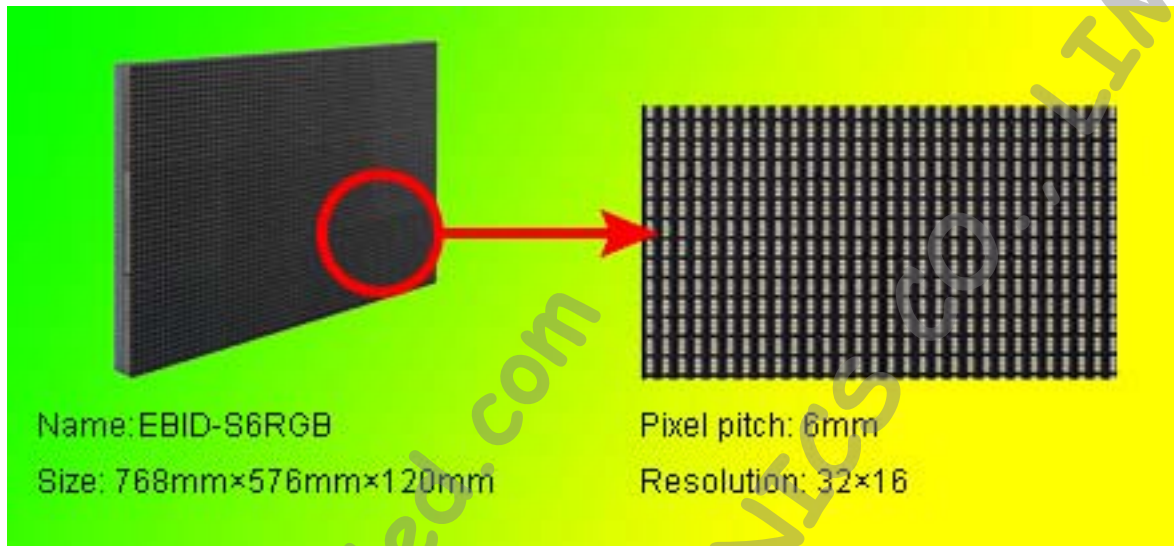
ADD: #202-72, Yuan Shan Bei Li, Huli District, Xiamen, China

TEL: +86-592-5628 225

FAX: +86-592-5628 225

Website: www.eb-led.com

E-mail: sally0592@gmail.com



P6 Specification:

Pixel pitch	6mm
Resolution of module	32x16
Resolution of cabinet	128x96
Density of pixel	27777dots/m ²
Red wavelength	625±2nm
Blue wavelength	470±2nm
Best viewing distance	≥6m
Maximum power consumption	<800 W / m ²
IP grade	IP20
Color temperature	6500K
Driving method	Constant scanning 1/8
Refresh frequency	≥300Hz
Working temperature	0°C-- +45°C
Life span	100,000 hours

Size of module	192mmx96mm
Size of cabinet	768mmx576mmx120mm
Area of cabinet	0.4424 m ²
Pixel configuration	1R1G1B
Green wavelength	525±2nm
Colors	16777216
Horizontal viewing angle	120°
Brightness	1200 cd/ m ²
Gray scale	256 levels per color
Control method	Synchronization/Asynchronism
Frame frequency	60Hz
Working voltage	AC220V/110V±10%
MTBF	More than 10,000 hours



EVER BRIGHT OPTO-ELECTRONICS CO., LIMITED

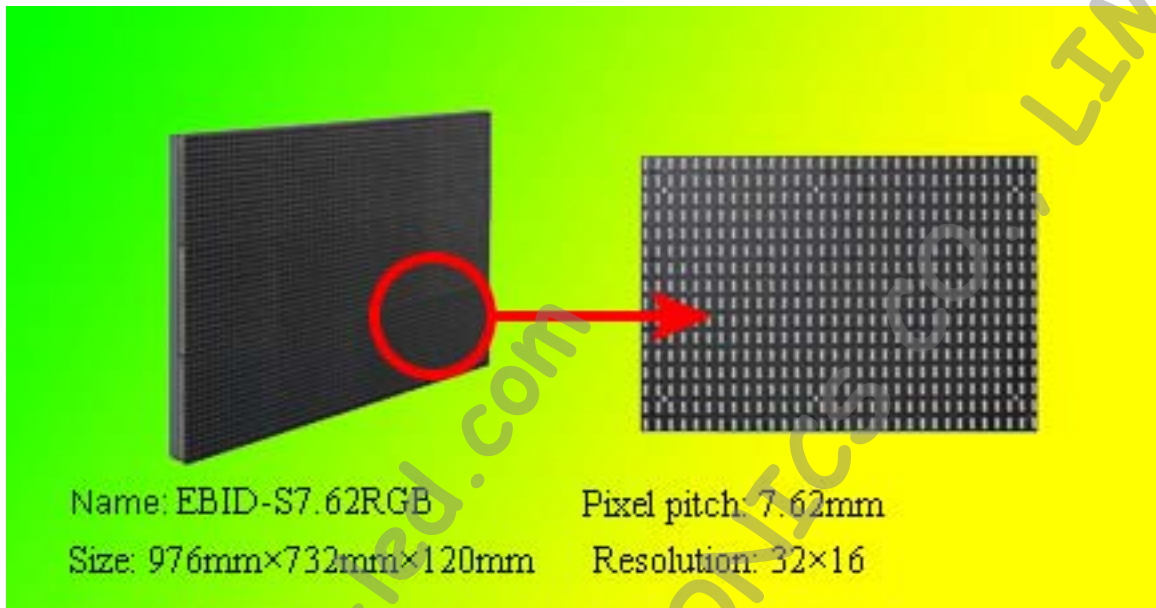
ADD: #202-72, Yuan Shan Bei Li, Huli District, Xiamen, China

TEL: +86-592-5628 225

FAX: +86-592-5628 225

Website: www.eb-led.com

E-mail: sally0592@gmail.com



P7.62 Specification:

Pixel pitch	7.62mm	Size of module	244mm x 122mm
Resolution of module	32 x 16	Size of cabinet	976mm x 732mm x 120mm
Resolution of cabinet	128 x 96	Area of cabinet	0.7144 m ²
Density of pixel	17222 dots/m ²	Pixel configuration	1R1G1B
Red wavelength	625 ± 2nm	Green wavelength	525 ± 2nm
Blue wavelength	470 ± 2nm	Colors	16777216
Best viewing distance	≥ 6m	Horizontal viewing angle	120°
Maximum power consumption	< 700 W / m ²	Brightness	1200 cd/m ²
IP grade	IP20	Gray scale	256 levels per color
Color temperature	6500K	Control method	Synchronization/Asynchronization
Driving method	Constant scanning 1/8	Frame frequency	60Hz
Refresh frequency	≥ 300Hz	Working voltage	AC220V/110V ± 10%
Working temperature	0°C -- +45°C	MTBF	More than 10,000 hours
Life span	100,000 hours		



EVER BRIGHT OPTO-ELECTRONICS CO., LIMITED

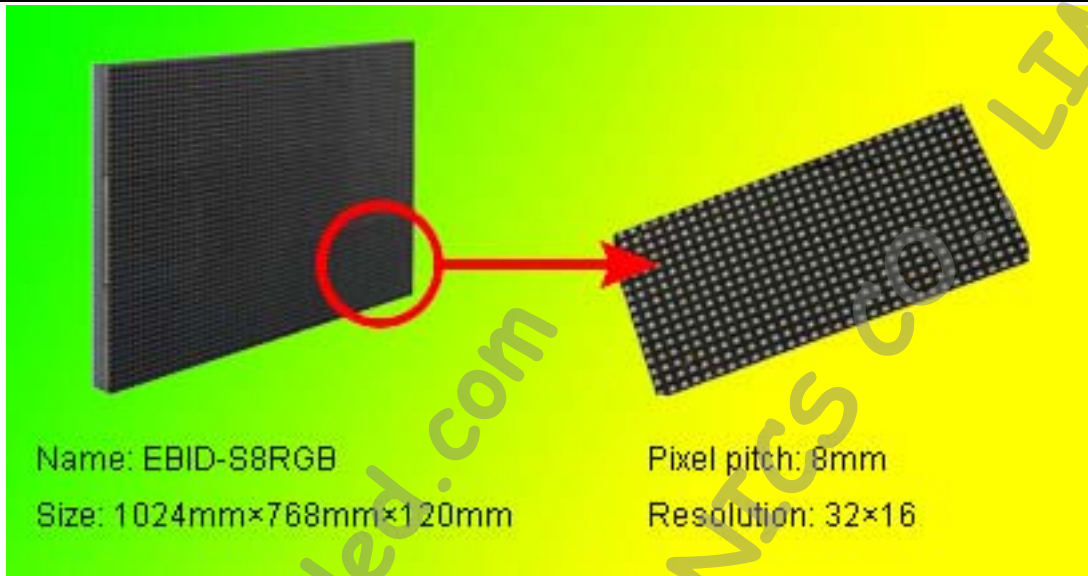
ADD: #202-72, Yuan Shan Bei Li, Huli District, Xiamen, China

TEL: +86-592-5628 225

FAX: +86-592-5628 225

Website: www.eb-led.com

E-mail: sally0592@gmail.com



Name: EBID-S8RGB

Size: 1024mm×768mm×120mm

Pixel pitch: 8mm

Resolution: 32×16

P8 Specification:

Pixel pitch	8mm
Resolution of module	32×16
Resolution of cabinet	128×96
Density of pixel	15625dots/ m ²
Red wavelength	625±2nm
Blue wavelength	470±2nm
Best viewing distance	≥8m
Maximum power consumption	< 600 W / m ²
IP grade	IP20
Color temperature	6500K
Driving method	Constant scanning 1/8
Refresh frequency	≥300Hz
Working temperature	0°C-- +45°C
Life span	100,000 hours

Size of module	256mm×128mm
Size of cabinet	1024mm×768mm×120mm
Area of cabinet	0.7864 m ²
Pixel configuration	1R1G1B
Green wavelength	525±2nm
Colors	16777216
Horizontal viewing angle	120°
Brightness	1100 cd/m ²
Gray scale	256 levels per color
Control method	Synchronization/Asynchronization
Frame frequency	60Hz
Working voltage	AC220V/110V±10%
MTBF	More than 10,000 hours



EVER BRIGHT OPTO-ELECTRONICS CO., LIMITED

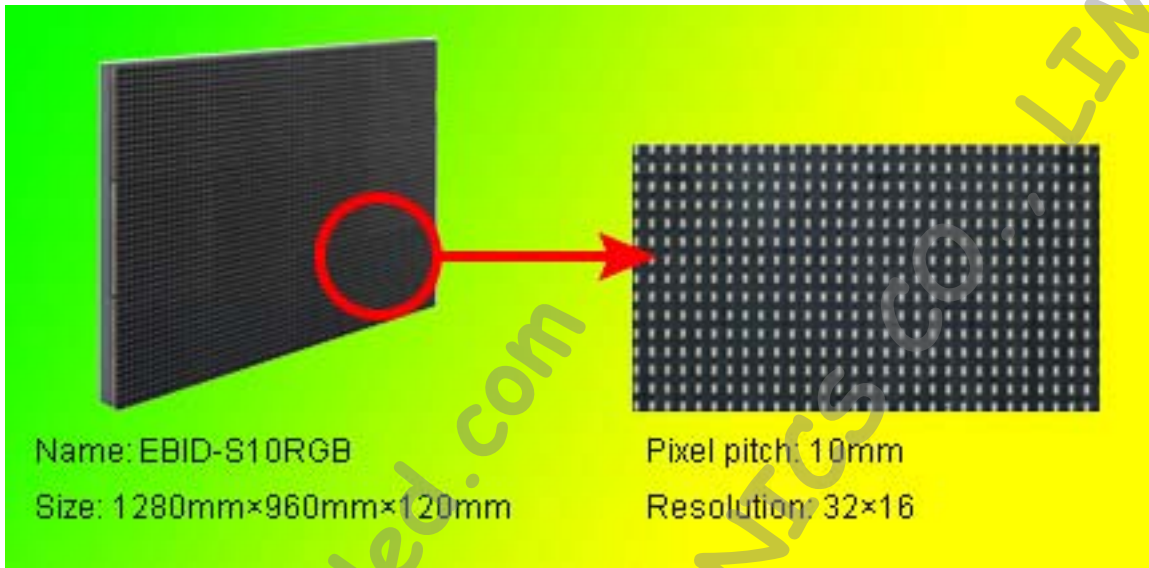
ADD: #202-72, Yuan Shan Bei Li, Huli District, Xiamen, China

TEL: +86-592-5628 225

FAX: +86-592-5628 225

Website: www.eb-led.com

E-mail: sally0592@gmail.com



P10 Specification:

Pixel pitch	10mm
Resolution of module	32×16
Resolution of cabinet	128×96
Density of pixel	10000dots/ m ²
Red wavelength	625±2nm
Blue wavelength	470±2nm
Best viewing distance	≥10m
Maximum power consumption	<700 W / m ²
IP grade	IP20
Color temperature	6500K
Driving method	Constant 1/8 scanning
Refresh frequency	≥300Hz
Working temperature	0℃-- +45℃
Life span	100,000 hours

Size of module	320mm×160mm
Size of cabinet	1280mm×960mm×120mm
Area of cabinet	1.2288 m ²
Pixel configuration	1R1G1B
Green wavelength	525±2nm
Colors	16777216
Horizontal viewing angle	120°
Brightness	1100cd/ m ²
Gray scale	256 levels per color
Control method	Synchronization/Asynchronism
Frame frequency	60Hz
Working voltage	AC220V/110V±10%
MTBF	More than 10,000 hours